

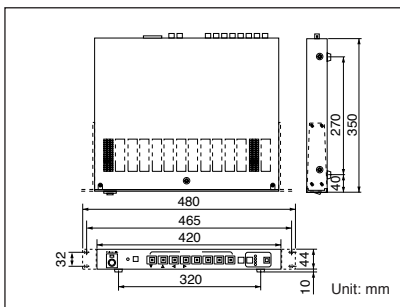
# QUAD UNITS

## Dual Page Colour Quad Unit WJ-MS488



- Compatible with Most 2:1 Interlace cameras
- Alphanumeric 8 Character Generator
- Real time refresh quad image
- Monitor output and VTR output
- Video Loss Detection
- Built-in RS-232C connector for remote control by computer.
- Displaying modes including quad A, quad B and 3x 3 screen.
- Built-in Still mode function.
- Alarm terminals
- User-friendly On-Screen Setup Menu.
- Can be zoomed 2x display.
- Sequence function

### DIMENSIONS



### SPECIFICATIONS

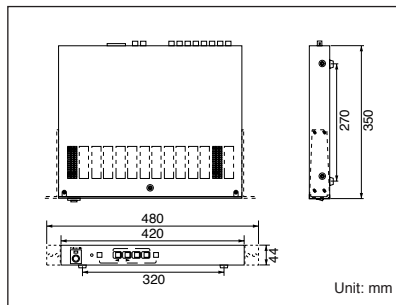
|                               |   |
|-------------------------------|---|
| Power Source                  | 220 - 240 V AC, 50 Hz   |
| Power Consumption             | 13 W  |
| Video Input                   | 2:1 interlace, composite 1 V [p-p] 75 Ω, auto termination or loop-through, black and white or colour video signal x8 (Each video signal should be synchronized vertically for vertical interval switching.) |
| Video Output                  | Video Output x1, composite, 1 V [p-p] 75 Ω, colour or black and white video signal with composite sync.   |
| Title                         | Up to 8 characters per window   |
| Alarm Input                   | One per 8 video inputs (max. DC 12 V and a make-contact for ground)   |
| Alarm Output                  | One (max. DC 24 V, 100 mA, open collector circuit)  |
| Alarm Time                    | Adjustable approx. 1s to 30s, 1, 2, 3, 4, 5 min. or EXT   |
| Recover Input                 | One (max. DC 12 V and a make-contact for ground)  |
| Auto Reset Time               | Adjustable approx. 1s to 30s, 1, 2, 3, 4, 5 min. or OFF   |
| Ambient Operating Temperature | -10°C - +50°C   |
| Dimensions (W x H x D)        | 420 x 44 x 350 mm   |
| Weight                        | 3.6 kg  |

## Colour Quad Unit WJ-MS424



- Advanced digital processing technology allows connection of virtually any 2:1 interlace camera with the WJ-MS424.
- Great picture quality with 8 bit/14.3 MHz sampling
- Quad picture and sequential switching function
- Alphanumeric character generator permits presetting of up to 8 characters and its position.
- Quad picture border lines can be inserted
- Alarm terminals
- User-friendly On-Screen Set Up Menu

### DIMENSIONS



### SPECIFICATIONS

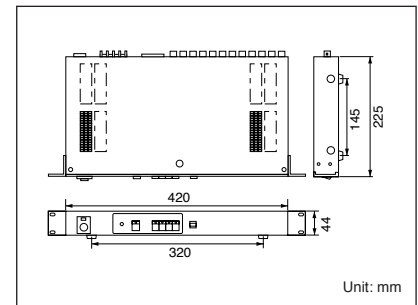
|                               |   |
|-------------------------------|---|
| Power Source                  | 220 - 240 V AC, 50 Hz   |
| Frame Memory                  | Sampling frequency: 14.3 MHz<br>Quantizing bit: 8bit<br>Pixels: 720 x 484   |
| Internal synchronization      | 2:1 interlace<br>Horizontal 15.625 kHz<br>Vertical 50 Hz  |
| Refresh Rate                  | 1/50  |
| Video Input                   | 2:1 interlace, composite 1 V [p-p]/75 Ω, Auto termination or Loop-through, black and white color video signal x 4 (each video signal should be synchronized vertically for vertical interval switching. Does not have to be synchronized in case vertical interval switching is not required) |
| Video Output                  | Video Output x 2, composite, 1 V [p-p]/75 Ω, Colour or black and white video signal with composite sync and burst signal  |
| Title                         | Up to 8 characters for each window  |
| Alarm Input                   | One for each 4 video inputs (Max. DC 12 V make-contact with the ground)   |
| Alarm Output                  | One (Max. DC 24V, 100 mA and an open collector circuit)   |
| Alarm Time                    | Adjustable approx. 1-30s, 1, 2, 3, 4, 5 min. or EXT   |
| Recover Input                 | One (Max. DC 12V and a make-contact for ground)   |
| Auto Reset Time               | Adjustable approx. 1-30s, 1, 2, 3, 4, 5 min. or OFF   |
| Ambient Operating Temperature | -10°C - +50°C   |
| Dimensions (W x H x D)        | 420 x 44 x 350 mm   |
| Weight                        | 3.6 kg  |

## B/W Quad Unit WJ-410



- Compatible with any 2:1 interlace camera with the WJ-410
- RS-232C terminal for remote control of the Quad mode, Individual Camera mode and Freeze-frame mode
- On-screen alphanumeric identification of camera locations can be preset, with up to eight (8) characters available per block.
- In the Quad mode, any or all blocks can be selected to display clear, still pictures.
- A white borderline can be inserted as a helpful screen divider when using the Quad mode.
- Rear-mounted alarm inputs for each camera location on the WJ-410 allows the unit to be combined with alarm sensors, intercoms and switches.
- Sync output provides external synchronization.
- There are two types of video outputs for Quad mode only, and for Quad/Full Selectable mode.

### DIMENSIONS



### SPECIFICATIONS

|                               |   |
|-------------------------------|---|
| Power source                  | 220 - 240 V AC, 50 Hz   |
| Video Input                   | 2:1 interlace, composite 1 V [p-p] / 75 Ω x 4, 75 Ω auto-termination / loop-through B/W video signal  |
| Video Output                  | Video Output (spot monitor out) x 1, composite 1 V [p-p] / 75 Ω, B/W video signal VTR Output (Quad) x 1, composite 1 V [p-p] / 75 Ω, B/W video signal Loop-through Video Output x 4, composite 1 V [p-p] / 75 Ω, B/W video signal |
| Sync Output                   | 4 V [p-p] / 75 Ω  |
| Gen-Lock Input                | VS 1 V [p-p] (composite)  |
| Character                     | Up to 8 characters for each block A to Z, 1 to 9, <- -, and blank, built-in back-up memory for "title display   |
| Alarm / Intercom Input        | One for each 4 video inputs; max. 12 V DC and a make-contact with ground  |
| Alarm Output One              | Max. 24 V DC 100 mA and an open collector circuit for ground  |
| Alarm Time                    | Adjustable between 1 and 30 s (approx.) via RS-232C remote control input  |
| Recover (Reset) Input         | ALARM REV IN x 1 Max. 12 V DC and a make-contact for ground   |
| Remote Control Input          | RS-232C terminals   |
| Remote Control Operation      | Quad freeze / full screen freeze (Camera 1-4), recover (reset) time (1-60 s, adjustable), alarm time (1-30 s, adjustable)   |
| Ambient Operating Temperature | -10°C - +50°C   |
| Dimensions (W x H x D)        | 420 x 44 x 225 mm   |
| Weight                        | 3.2 kg  |