

Linking security.
Increasing safety.



Through the network, the WV-AS60 software provides integrated management of up to 100 recorded WJ-HD300 series images. At any time, place or destination, you can easily operate and remotely control the digital disk recorders.

Monitor images via a network for a total management security system

Remote monitoring from a PC is simple & easy with the WV-AS60 management software and multifunctional WJ-HD300 series digital disk recorders.



Via LAN or Internet connection, the WV-AS60 management software allows integration of up to 100 WJ-HD300 series digital disk recorders. Not only can a selected live image on the connected recorder be displayed on your PC monitor, but also the camera itself can be operated remotely. Recorded images from several recorders can be searched, played back, and downloaded on a PC hard disk and then filed for a truly realized high-efficiency monitoring system.

The WV-AS60 is quick, flexible, scalable monitoring system and responds to its owner's every need while guaranteeing security and safety.



Panasonic Digital Disk Recorders:
WJ-HD300 Series (optional)

When, where and what?

WV-AS60 gathers all the images together in one place.

Main application

Network mode

WV-AS60 operates the WJ-HD300 series of digital disk recorders remotely via the network.

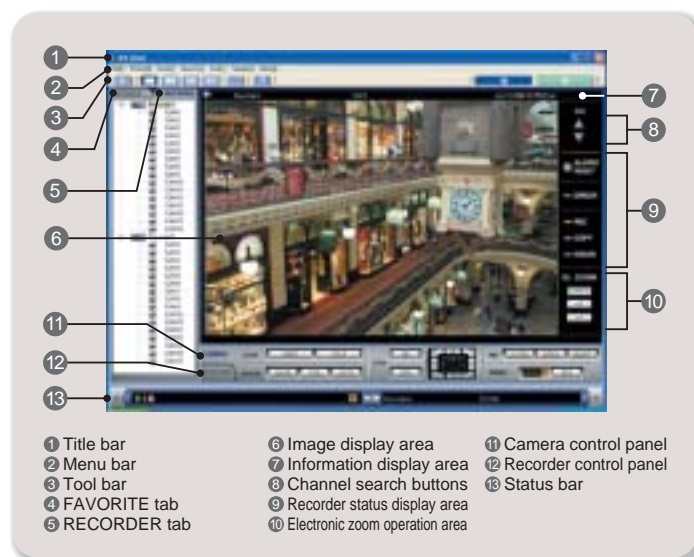
- Facilitates monitoring live images taken by cameras connected to the recorder and camera operation.
- Facilitates recording, search and playback of recorded images from multiple recorders.

Local mode

WV-AS60 facilitates search, playback and management of image files downloaded on PC hard disk

Downloader

WV-AS60 downloads images recorded on the disk recorder.



WV-AS60 Main Functions

“Viewing,” “Searching,” and “Storing,” on a single PC, images recorded at diversified monitoring points.



full screen



4-split screen



9-split screen



16-split screen

Network Functions

Simultaneous display of up to of 16 channels

Displays four patterns (1, 4, 9, 16 screens) of recorded live images or playback images. Combinations of display positions and display cameras can be selected at will by dragging and dropping the images on your PC.

Favorite register

A number of frames and camera positions (up to 500) may be registered so that they can be called up directly.



Main unit operation

There are a variety of operations that can be performed with the disk recorder alone: manually starting and stopping the recording, text attachment to recorded image, recorder log display, and data copying.



Operating cameras by remote

Remote operation of pan / tilt and zoom functions of cameras (WJ-HD316: 16ch / WJ-HD309: 9ch) which are connected to the disk recorder via a mouse.



Three search functions

Three types of search functions are installed: recorded event search, playback VMD search, and marking search. A number of recorders can be searched simultaneously and required images can be quickly retrieved.



FTP server linkage function

By means of the WJ-HD300 series FTP alarm transmission function (an automatic signal sent from the recorder to the FTP server when some event occurs), the information recorded on the FTP server directory of the PC is added to the alarm log.

*It is necessary to register the PC FTP server directory with both SETUP MENU of recorder and WV-AS60.

*When using this function, IIS (Microsoft® internet information services) must be on for PCs which have WV-AS60 installed.

Local Functions

Two download functions

Download is conducted at a preset time or period called “scheduled download” and at other times when watching live images or playbacks, called “manual download.” When downloaded, the designated channels are all kept in one file.



File management

A database is made of the downloaded image files and may be extracted using various filters such as recorder, date, recorded event, or comments.



File playback

Multiple channel playbacks can be made of files containing a number of designated channels. A multi-frame playback of one file or a one-frame playback of 4 files can be selected. A file can be made of a designated part of the download of a recorded image, and by using auxiliary exclusive viewer software the image may be played back on any PC. Also, a single still image (JPEG image) may be saved.



User authentication function

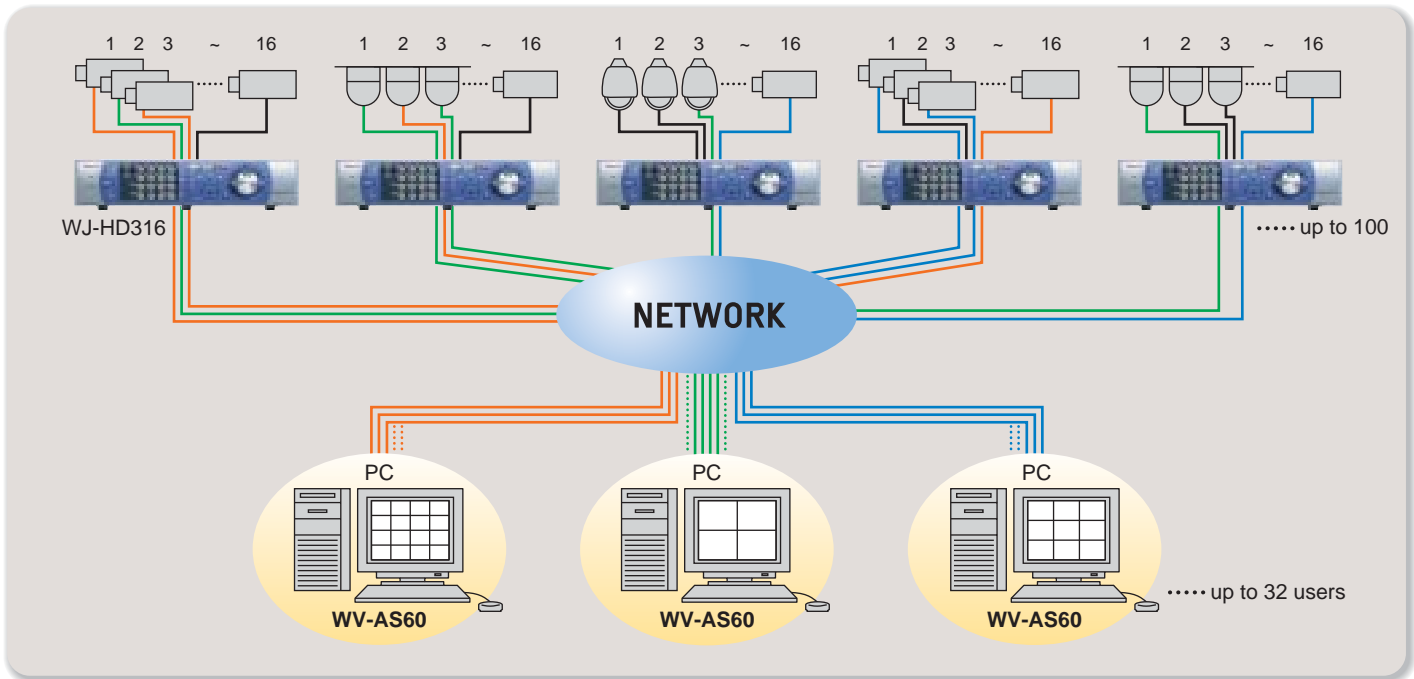
Security is provided by management of user's name and password. There are two types of software administrators (admin user) and regular operation users (up to 32). Users are divided into 3 patterns, with limited functionality.



Local PC maintenance

When downloading, the free area of the saved hard disk is checked and a notification appears as an icon at the bottom of the image. Image files prior to the designated date and image files following fixed download date are searched and erased, and automatic maintenance is conducted.

System Diagram



Disk Recorder Management Software
for WJ-HD300 Series

WV-AS60

Specifications

WJ-HD300 series registration capacity	up to 100 sets
User registration capacity	up to 32 users
User types	5 types
Schedule registration capacity	up to 400 schedules
Favorite registration capacity	up to 500
Simultaneous downloads	up to 10 accesses
Simultaneous camera image displays	up to 16 cameras
Simultaneous file playbacks	up to 4 files

*In the case of several WJ-HD300 series software, use a PC in which 4 WV-AS60 are installed for simultaneous access to 1 recorder. (Simultaneous access control depends on the recorder.)

*Trademark and registered trademark—•Microsoft®, Windows® are registered trademarks of U.S. Microsoft Corporation or the corresponding Microsoft Corporation of another country.
•Intel® and Pentium® are registered trademarks or trademarks of Intel Corporation of the U.S. or the corresponding Intel Corporation of another country and subsidiary companies.
•Adobe®, Adobe logo, and Acrobat®, are trademarks of Adobe Systems Incorporated (Adobe Systems Co.).
•Other company names and product names are trademarks or registered trademarks of the respective companies.

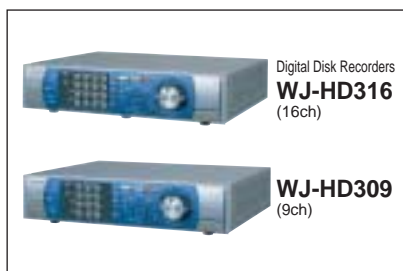
Operating environment

This PC software can be installed in PCs with the following environments

OS	Microsoft® Windows® 2000 Professional SP4 Microsoft® Windows® XP Professional or Home Edition SP1
Computer	IBM PC / AT Compatible
CPU	Pentium® 4, 1.4 GHz or above
Memory	512MB or above
Hard disk capacity	About 40MB level is required for application installation.* 1024 × 768 pixel resolution level or above, HIGH colour 16 bits or above (Full-colour environment is recommended)
Interface	10 / 100Mbps network interface card installed
Web browser	Microsoft® Internet Explorer 6.0 SP1

*It is necessary to prepare space to receive files from the recorder that is separate from the application installation.

OPTIONAL COMPONENTS



Important – Safety Precaution: carefully read the operating instructions and Installation manual before using this product.

•All photographs and menu are simulated and shown for the purpose of explanation. •Weights and dimensions are approximate. •Specifications are subject to change without notice.

•This product is subject to export control regulations.

DISTRIBUTED BY:

Panasonic System Solutions Company
Matsushita Electric Industrial Co.,Ltd.
4-3-1,Tsunashima-higashi, Kohoku-ku, Yokohama,
223-8639, Japan
Tel 81(0)45-540-5769
Fax 81(0)45-540-5773
URL <http://panasonic.co.jp/pss/cctv/en/index.html>

Panasonic

Panasonic is the brandname of Matsushita Electric.
Printed in Japan WV-JHAS60C(2N-734)