



OUR NEW BROADBAND CAPABLE AND SURVEILLANCE FEATURE-PACKED COLOUR DOME CAMERAS

The new Panasonic WV-NS320 Series can be connected to both analogue and digital networks. Colour camera, zoom lens, pan and tilt mechanisms are all combined in a single compact unit. When this camera is connected to an Ethernet network, you can operate it and monitor its images from a personal computer. Or, you can use it with an analogue colour composite signal as part of your existing surveillance systems using coaxial cable. With input from a motion detector or external sensor, it can automatically store images and attach them to e-mail or control external devices to turn on lights or start surveillance recording. Combining a 10x zoom lens with 5x digital zoom, it can zoom in for up to 50x close-ups. It operates in lighting as low as 1.0 lux and can pan a full 360°. The Flip-A-Chip feature makes it easy to capture subjects passing directly below the camera, the image-hold feature prevents blurring when the camera moves, and pre-set positions simplify operation.

Superb specifications and a host of convenience features make the WV-NS320 Series ideal for bank branch, franchise outlet or other network surveillance applications.

OPTIONAL ACCESSORIES

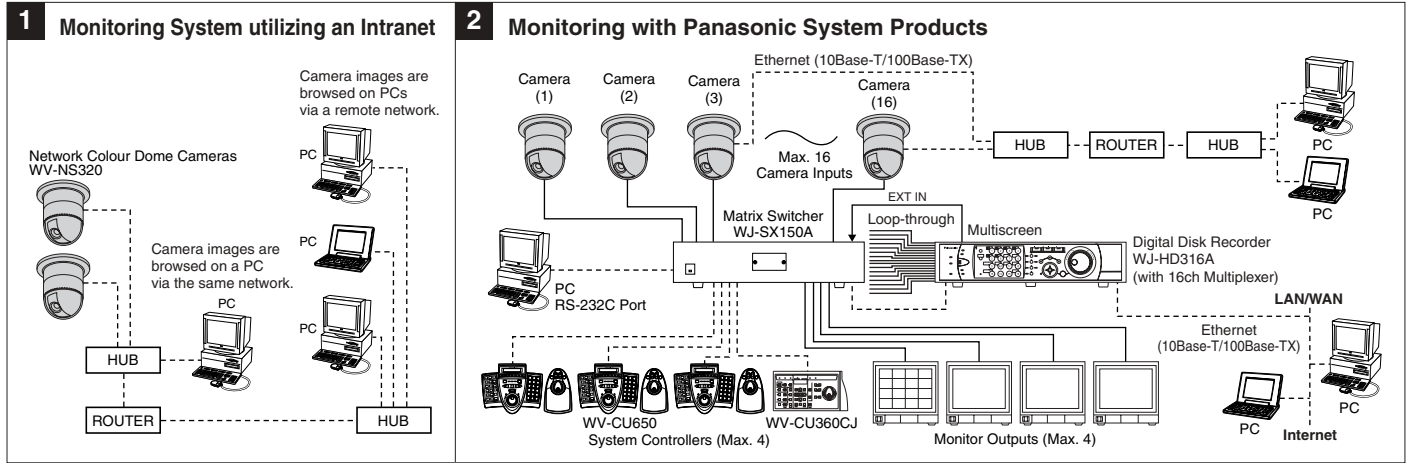
Smoke Cover
WV-CS2S
Mirror Cover
WV-CS2M



KEY FEATURES

- Compact dome designed all-in-one unit colour surveillance camera.
- Both analogue video output and digital Ethernet port are available.
- Built-in network interface (10Base-T/100Base-TX) for remote monitoring by PC simply. (Internet interface protocol; TCP/IP, UDP/IP, HTTP, FTP, SMTP, DNS, DDNS, DHCP, NTP and BOOTP)
- Built-in Alarm function for external security devices, and FTP alarm activation.
- JPEG / MJPEG image size : 752 x 568, 752 x 280, 368 x 280 and 176 x 136
- 1/4-type CCD colour image sensor with 752H x 582V pixels.
- 480-line of horizontal resolution.
- Min. illumination of 1.0 lux (at AGC High).
- Built-in Flip-A-Chip function.
- Image hold function during panning.
- 360° endless panning range.
- Auto panning with rotation speed of 100°/s.
- 10x optical zoom (4.2 - 42mm at F1.4) plus 5x electronic digital zoom lens provided (total zoom capacity of 50x).
- Auto focus lens mechanism.
- Alarm input/output terminal connectors
- Built-in digital motion detector.
- Built-in alphanumeric character display.
- Electronic sensitivity enhancement (Auto; up to 10x, Manual; up to 32x, and Off)
- Digital signal processing LSI's for high quality pictures : 2H vertical enhancement, Chroma gain, Pedestal, Hue and Noise reduction circuit.
- Multiplexed Vertical Drive (VD2) sync capability with Panasonic system products.

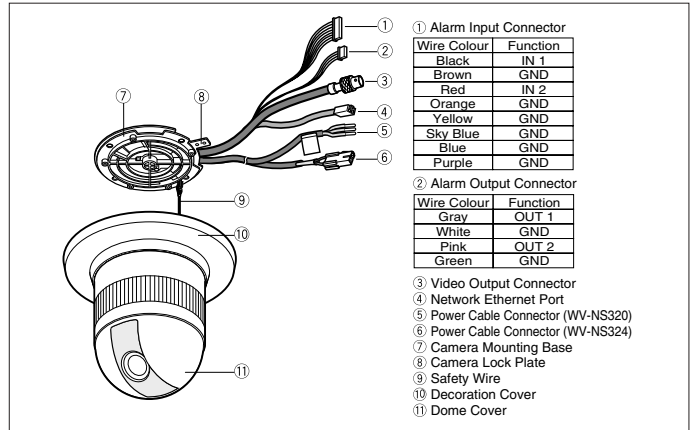
SYSTEM EXAMPLE



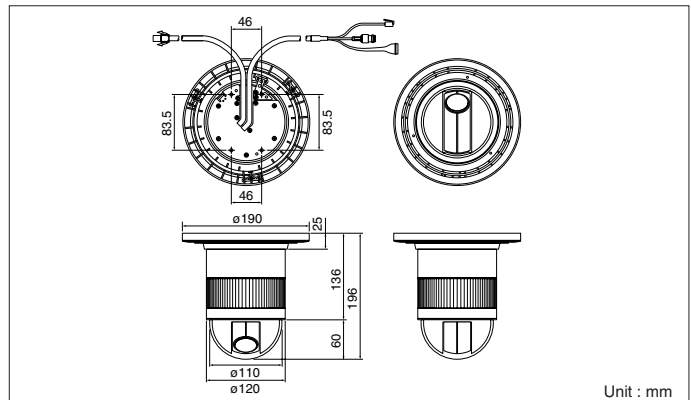
SPECIFICATIONS [PAL]

Model No.	WV-NS320	WV-NS324
Pick-up Device	752 (H) x 582 (V)	
Scanning Area	3.57mm (H) x 2.67mm (V), 1/4-type CCD image sensor	
Synchronization	Internal/Line-Lock/Multiplexed Vertical Drive (VD2)	
Scanning	625 lines/50 fields/25 frames	
Scanning System	2 : 1 interlace	
Video Output	VBS1.0V[p-p]/75Ω, composite signal	
Resolution	H	more than 480 lines (at centre)
	V	more than 400 lines (at centre)
Minimum Illumination	1.0 lux at F1.4 (at AGC High)	
Signal to Noise Ratio	50dB (AGC OFF, Weight On)	
AGC	On (Low, Mid, High)/Off	
Title Display	On/Off	
Motion Detector	On/Off	
Flip-A-Chip Function	On/Off	
BLC	Selectable On/Off	
Set Up	Max. 4 times, Auto/Fix	
Alarm Input	2 Inputs (Alarm In 1-2)	
Alarm Output	2 Outputs (Alarm/Aux)	
Electronic Shutter	Off (1/50), 1/120, 1/250, 1/500, 1/1,000, 1/2,000, 1/4,000, 1/10,000 s	
Network Section		
Image Resolution	752 x 568, 752 x 280, 368 x 280, and 176 x 136	
Image Process	JPEG / MJPEG	
Image Refresh Rate	Fast/Middle/Slow/Very Slow	
Traffic Control	32/64/128/256/512/1,024 kbps and unlimited	
Internet Protocol	TCP/IP, UDP/IP, HTTP, FTP, SMTP, DNS, DDNS, DHCP, NTP and BOOTP	
Zoom Ratio	10x Optical plus 5x digital zoom (50x total)	
Max. Aperture Ratio	1 : 1.4 (Wide) ~ 2.0 (Tele)	
Focal Length	4.2 ~ 42mm	
Angular Field of View	H	4.9° ~ 47°
	V	3.7° ~ 36°
Zoom Speed	approx. 3.9s (Tele/Wide) in manual mode	
Focus Speed	approx. 3.0s (Far / Near) in manual mode	
Iris	Automatic (open/close)/manual	
Panning Range	360° endless	
Panning Angle Setting	Possible (in auto-pan mode)	
Panning Mode	Manual/auto pan	
Panning Speed	Manual: approx. 1.0°/s ~ 100°/s Preset position: max. 100°/s	
Tilting Range	0° ~ 92°	
Tilting Mode	Manual	
Tilting Speed	Manual: approx. 1.0°/s ~ 100°/s Preset position: max. 100°/s	
Controls	Pan/tilt, lens, preset position, home position	
Controller I/F	Multiplex-Coaxial	
Power Supply	220V ~ 240V AC, 50Hz	24V AC, 50Hz
Power Consumption	16W	15W
Ambient Operating Temperature	-10°C ~ +50°C	
Ambient Operating Humidity	Less than 90%	
Dimensions	ø120 (D) x 196 (H) mm (ø110mm diameter dome size)	
Weight	Approx. 2kg	

MAJOR OPERATING CONTROLS



APPEARANCE



Frame Rate Chart

Image Resolution	Mode	Super Fine (1/6)			Fine (1/8)			Normal (1/10)			Extended (1/12)		
		Mbps	kB	ips	Mbps	kB	ips	Mbps	kB	ips	Mbps	kB	ips
752 x 568 (frame)	JPEG	4.0	100	5	3.9	69	7	3.6	56	8	3.7	52	9
	MJPEG	5.6	100	7	5.5	69	10	5.4	56	12	5.0	52	12
752 x 280 (field)	JPEG	2.6	46	7	2.5	35	9	2.1	29	9	1.9	26	9
	MJPEG	5.5	46	15	5.9	35	21	5.8	29	25	5.2	26	25
368 x 280 (field)	JPEG	2.9	23	16	2.4	18	17	2.5	15	21	2.5	15	21
	MJPEG	4.6	23	25	3.6	18	25	3.4	15	25	3.0	15	25
176 x 136 (field)	JPEG	2.6	20	16	2.7	16	21	2.2	13	21	2.2	12	23
	MJPEG	4.0	20	25	3.2	16	25	2.6	13	25	2.4	12	25

Important – Safety Precaution: carefully read the operating instructions and installation manual before using this product.

– Panasonic can not be responsible for network performance and/or other manufacturer products that reside on the network.

• Weights and dimensions are approximate. • Specifications are subject to change without notice. • These products may be subject to export control regulations.

DISTRIBUTED BY:

Panasonic

Panasonic is the brandname of Matsushita Electric.

Printed in Japan

WV-JKNS320T(2N-709C)